

INOX 90

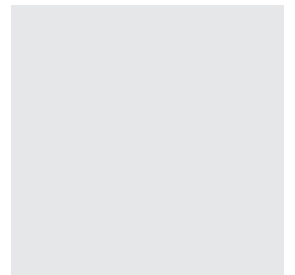
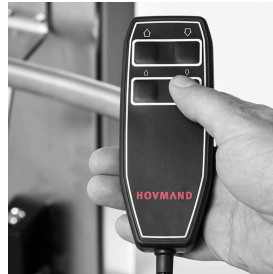
LIFTER FOR PHARMA AND FOOD INDUSTRY USE

LIGHT, FAST AND EASY TO CLEAN

INOX 90 is light, and the fastest lifter on the market. It is designed for demanding environments such as those found in the pharma and food industries, where production equipment is subject to strict hygiene and cleaning requirements (IP66).

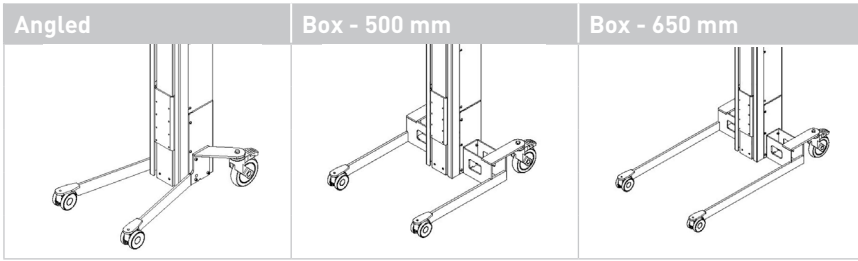
The stainless steel INOX 90 lifts, moves and handles loads weighing up to 90 kg. The lifter is electropolished and equipped with a remote control with two speeds. The lifter features built-in overload protection, safety clutch and battery indicator, and all moveable parts are shielded.

All tools for the INOX 90 are stainless steel. The three mast heights can be combined with three different sets of legs as well as various wheel types.

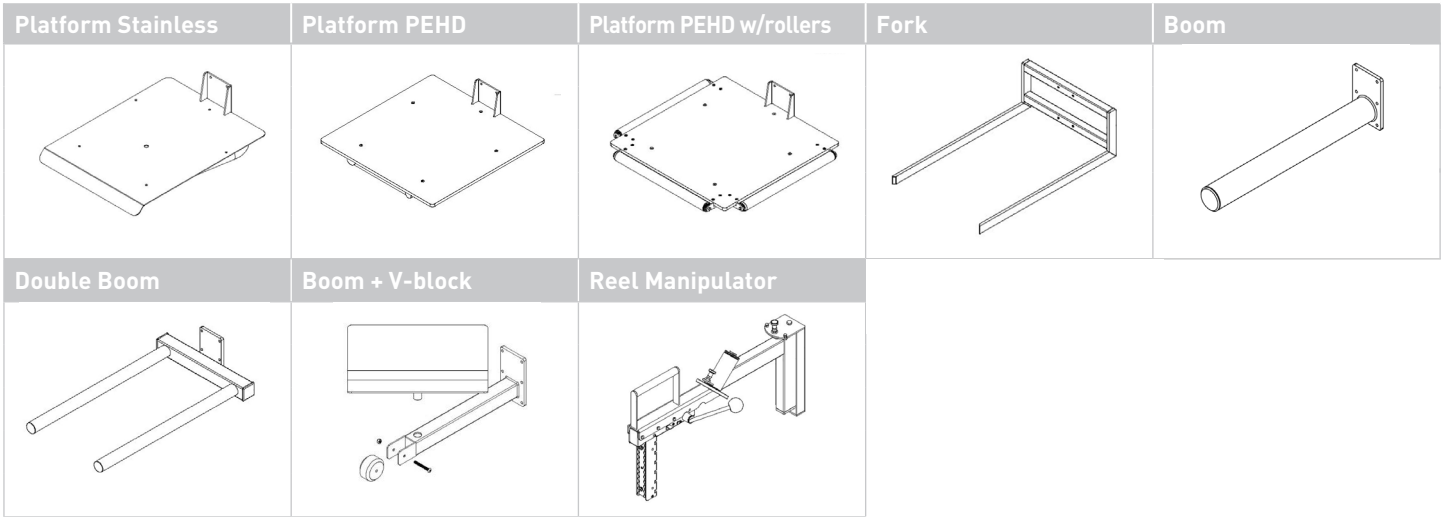


INOX 90

LEG TYPES



STAINLESS STEEL TOOLS

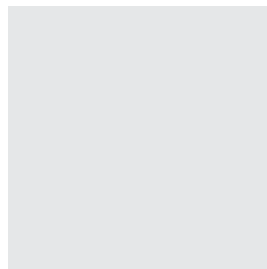


Type	Capacity	Lifting height	Mast height	Speed	Batteries	Weight
	kg	mm	mm	mm/sec	Voltage / AH	kg
90 S	90	956	1225	270/125	24/9	37
90 L	90	1245	1520	270/125	24/9	40
90 M	90	1651	1922	270/125	24/9	43

WHEELS

Angled, Box-500 mm:
 Front wheels, double swivel Ø75 mm or single swivel Ø50 mm
 Rear wheels, swivel Ø125 mm with brakes

Box-650 mm:
 Front wheels, double swivel Ø75 mm
 Rear wheels, swivel Ø125 mm with brakes



**SEE VIDEOS:
WWW.YOUTUBE.COM/HOVMANDIMPACT**



ASP bvba
 Baanakkerweg 3
 B-3060 Bertem

+32 (0)16 36 12 24
 info@asp-online.be
 www.asp-online.be